

8

7

6

5

4

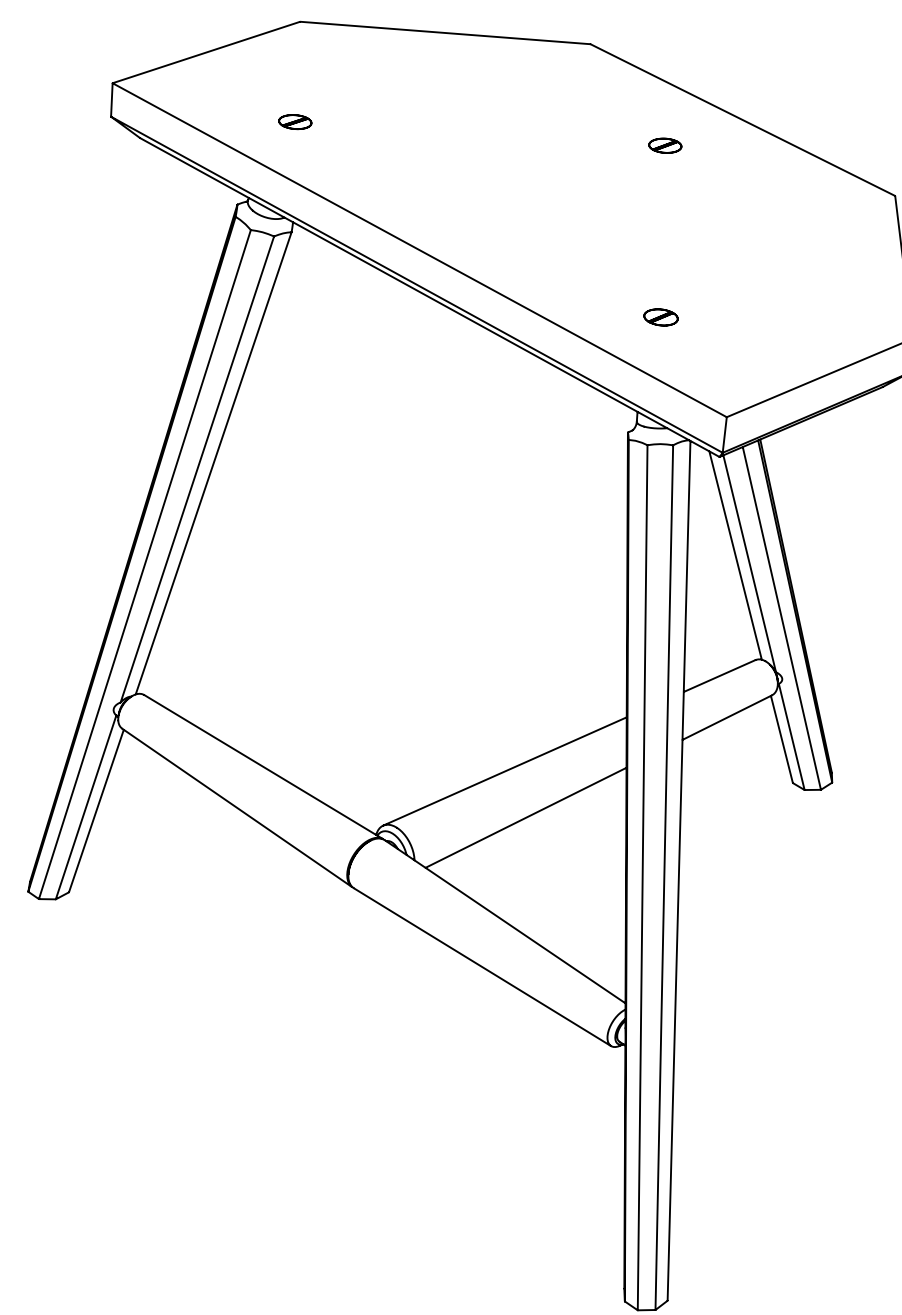
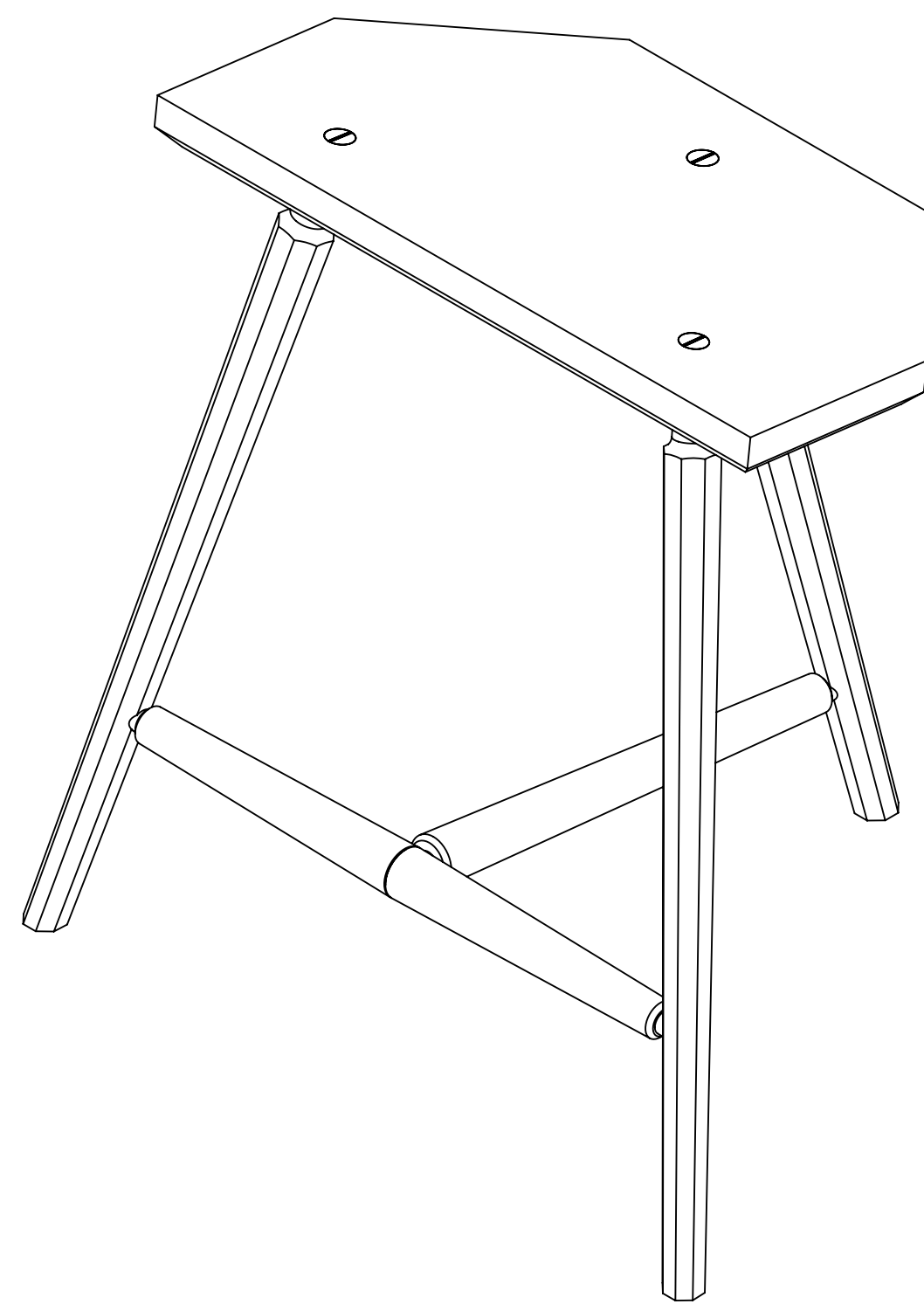
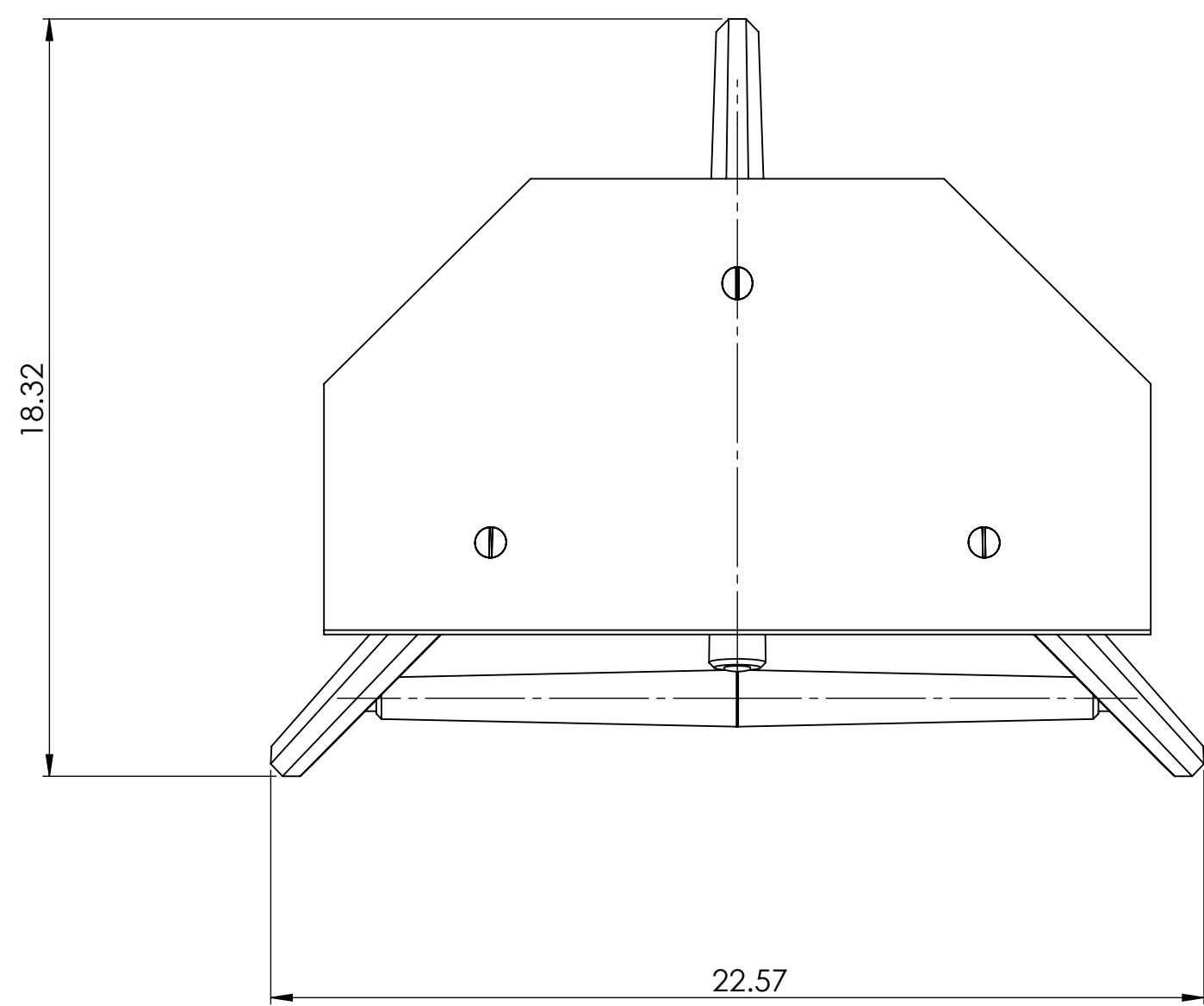
3

2

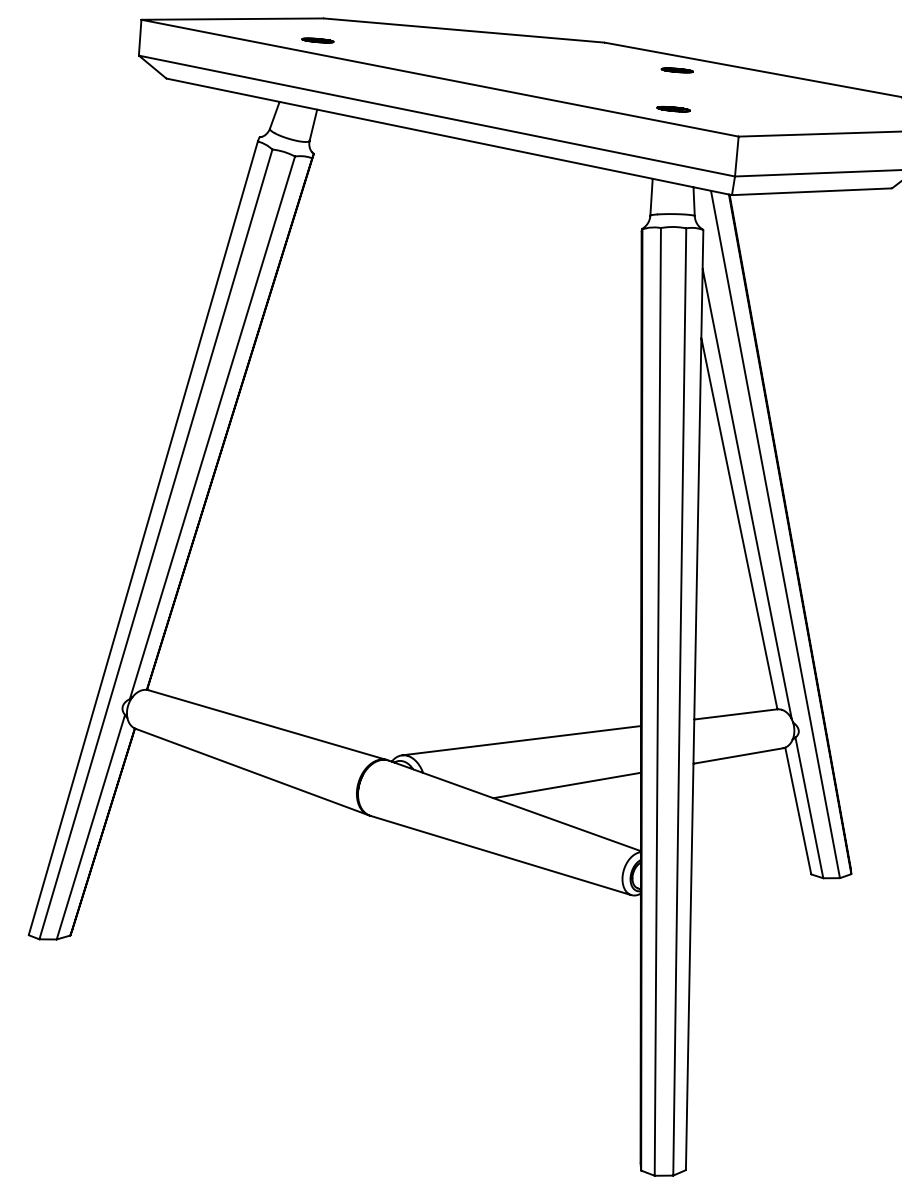
1

D

D



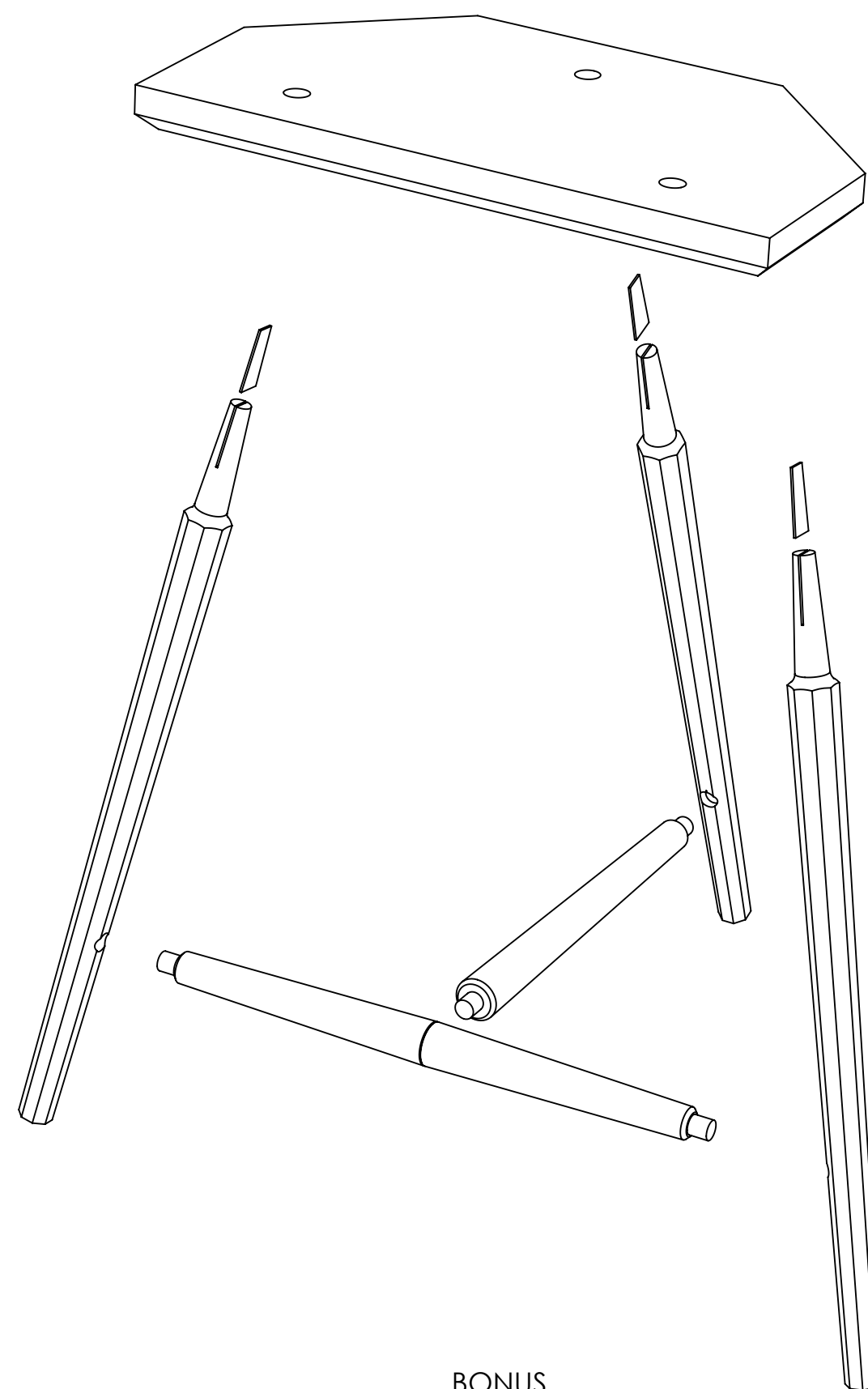
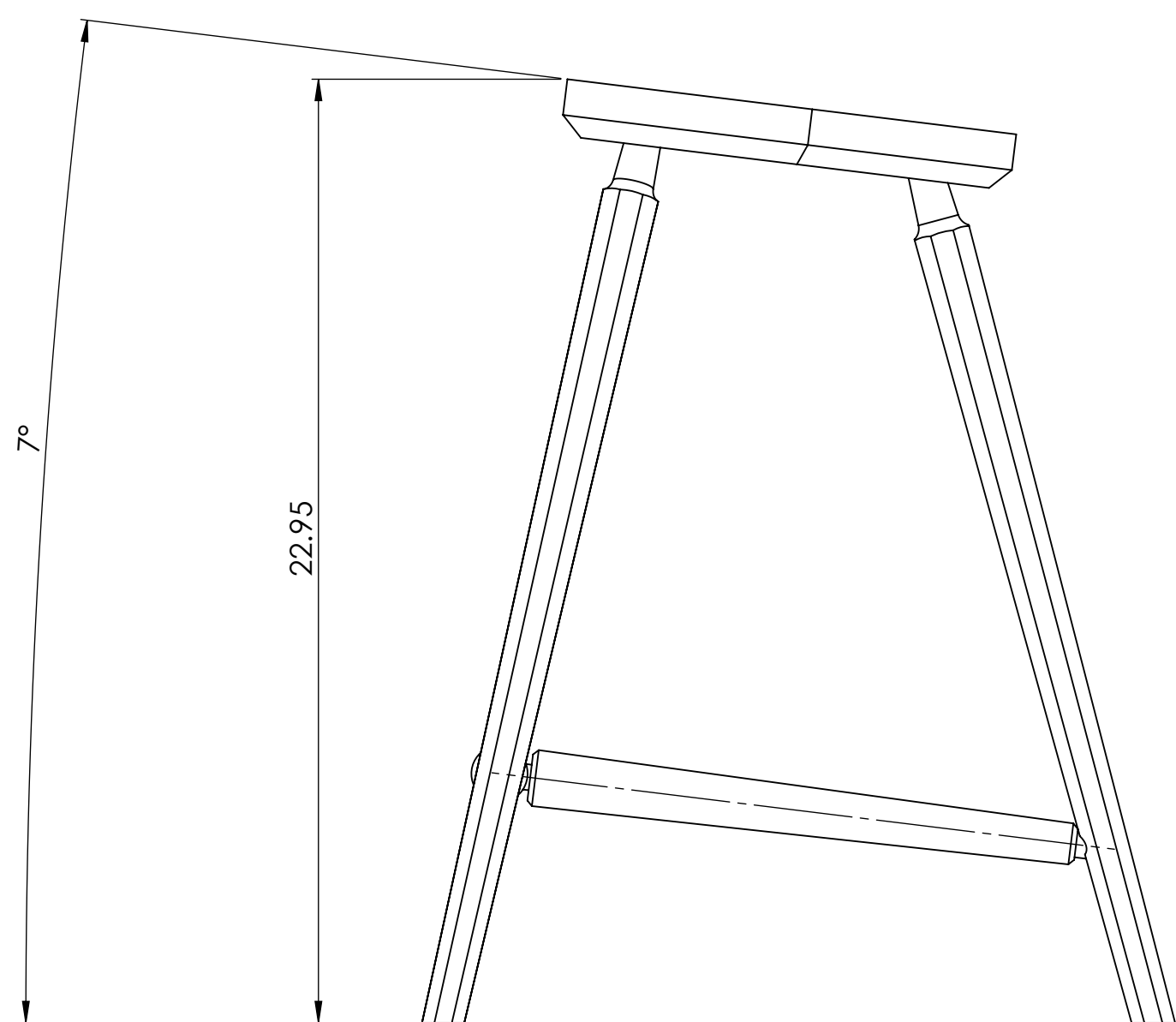
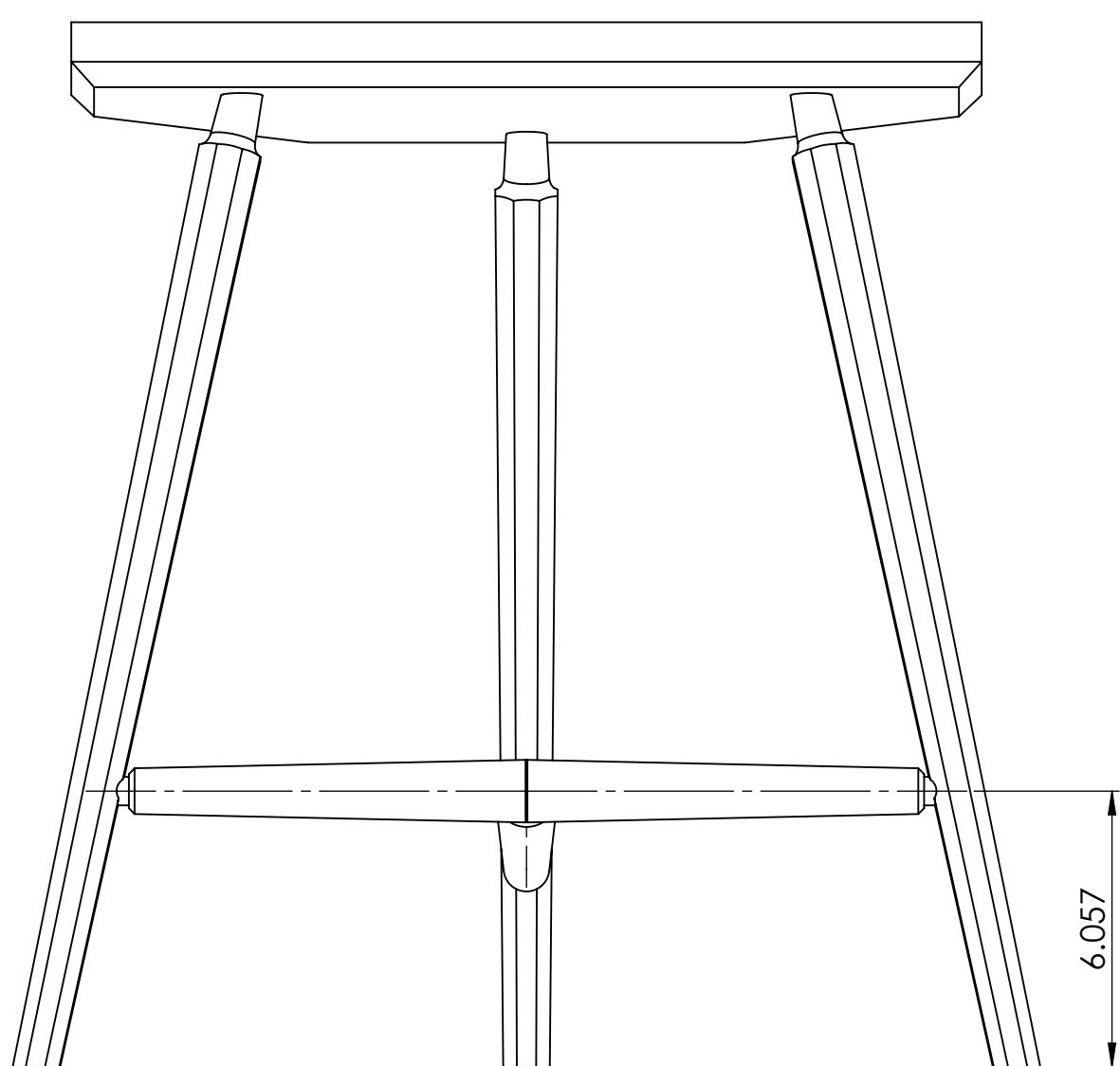
ISOMETRIC  
(PERSPECTIVE)



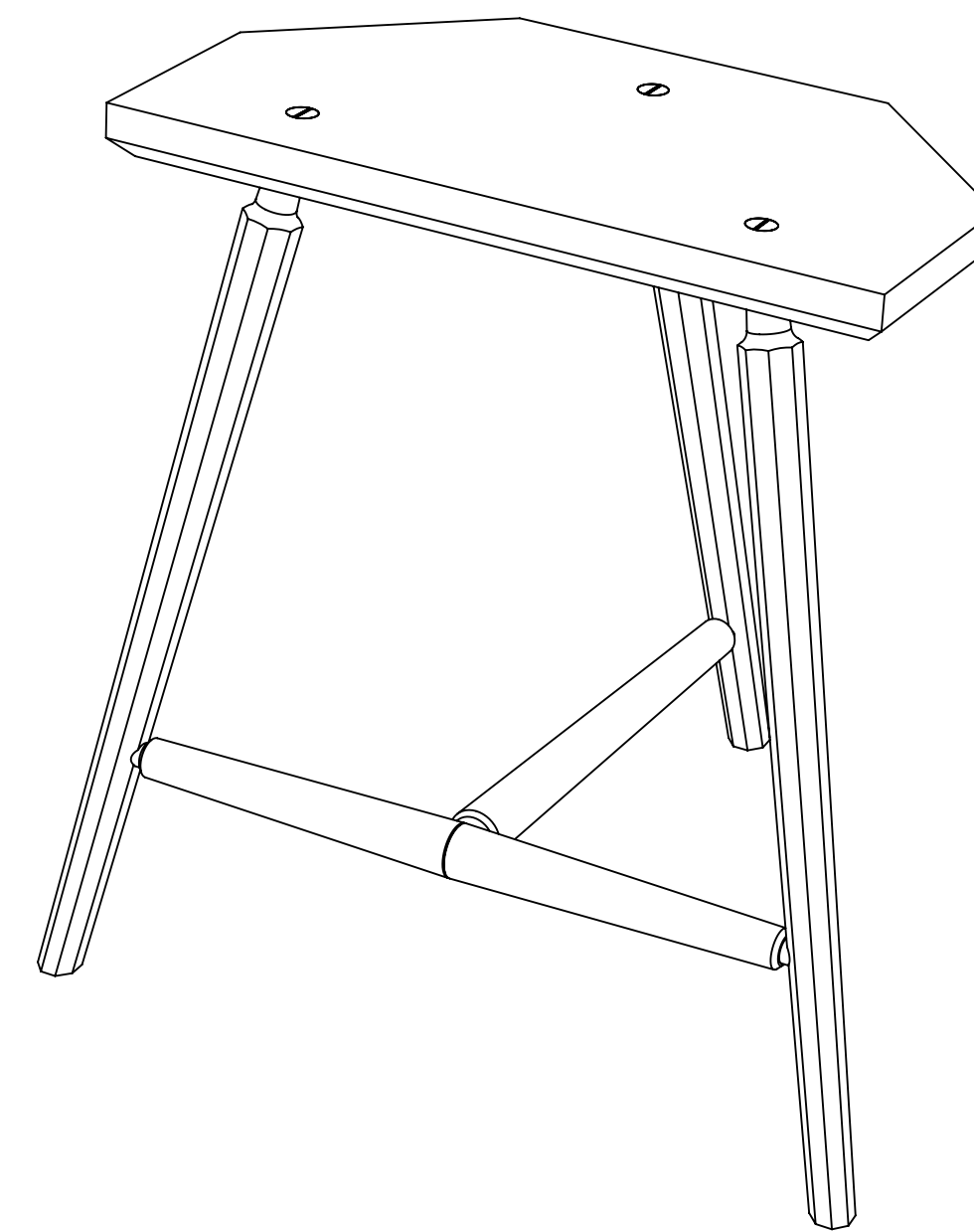
DIMETRIC  
(PERSPECTIVE)

C

C



BONUS  
EXPLOSION



TRIMETRIC  
(PERSPECTIVE)

B

B

A

A

8

7

6

5

4

3

2

1

TITLE:			STAKED HIGH STOOL		
SIZE	DWG. NO.	REV			
D	stool_rev1				
SCALE: 1:4		WEIGHT:	SHEET 1 OF 1		