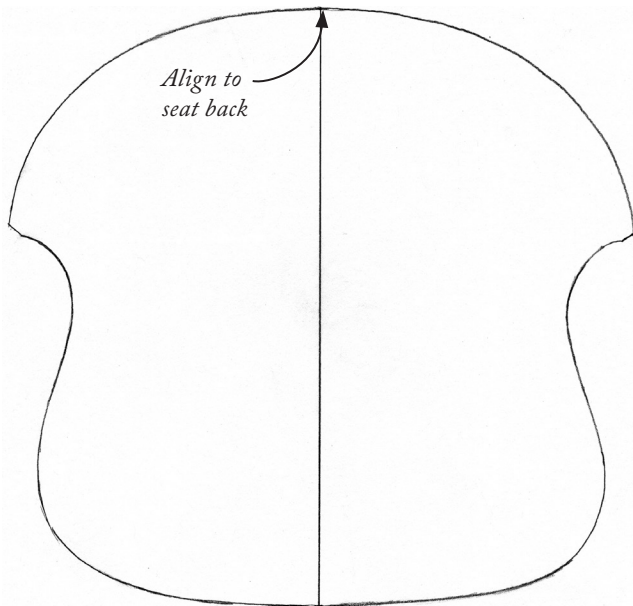
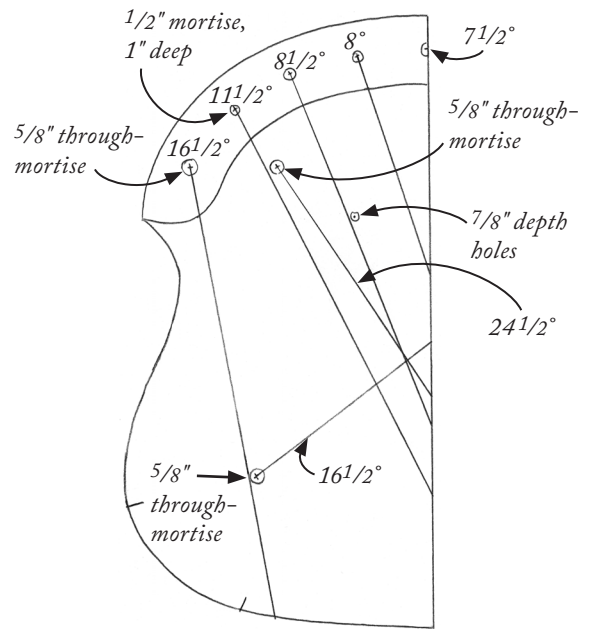


FIG. 3.7 Project plans for a fan-back chair. Enlarge illustrations 545 percent for full size.



Seat underside pattern, both chairs



Balloon-back seat

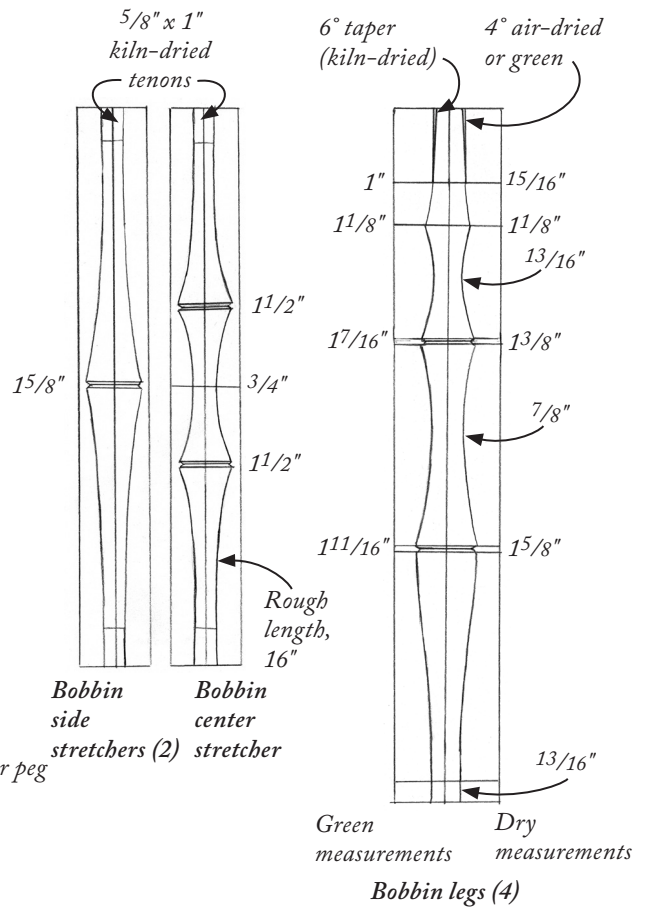
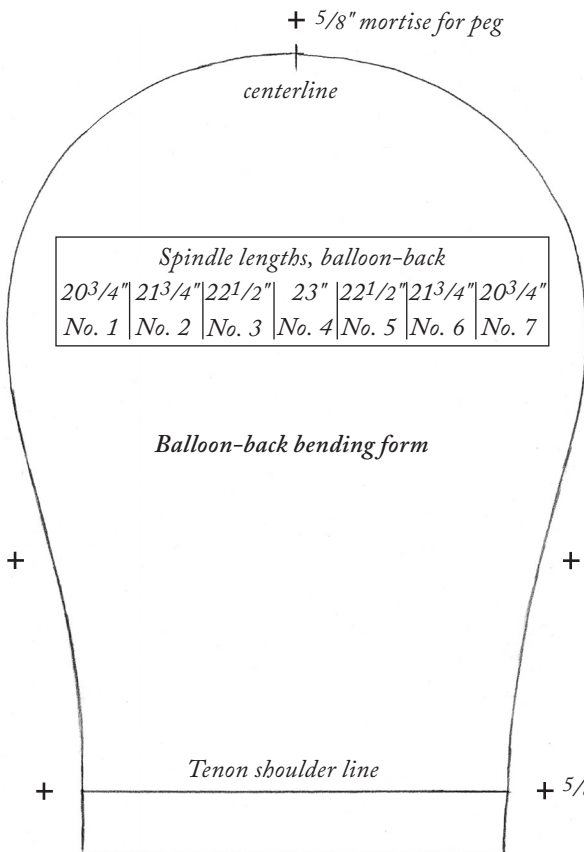


FIG. 3.8 Project plans for a balloon-back chair. Enlarge illustrations 545 percent for full size.