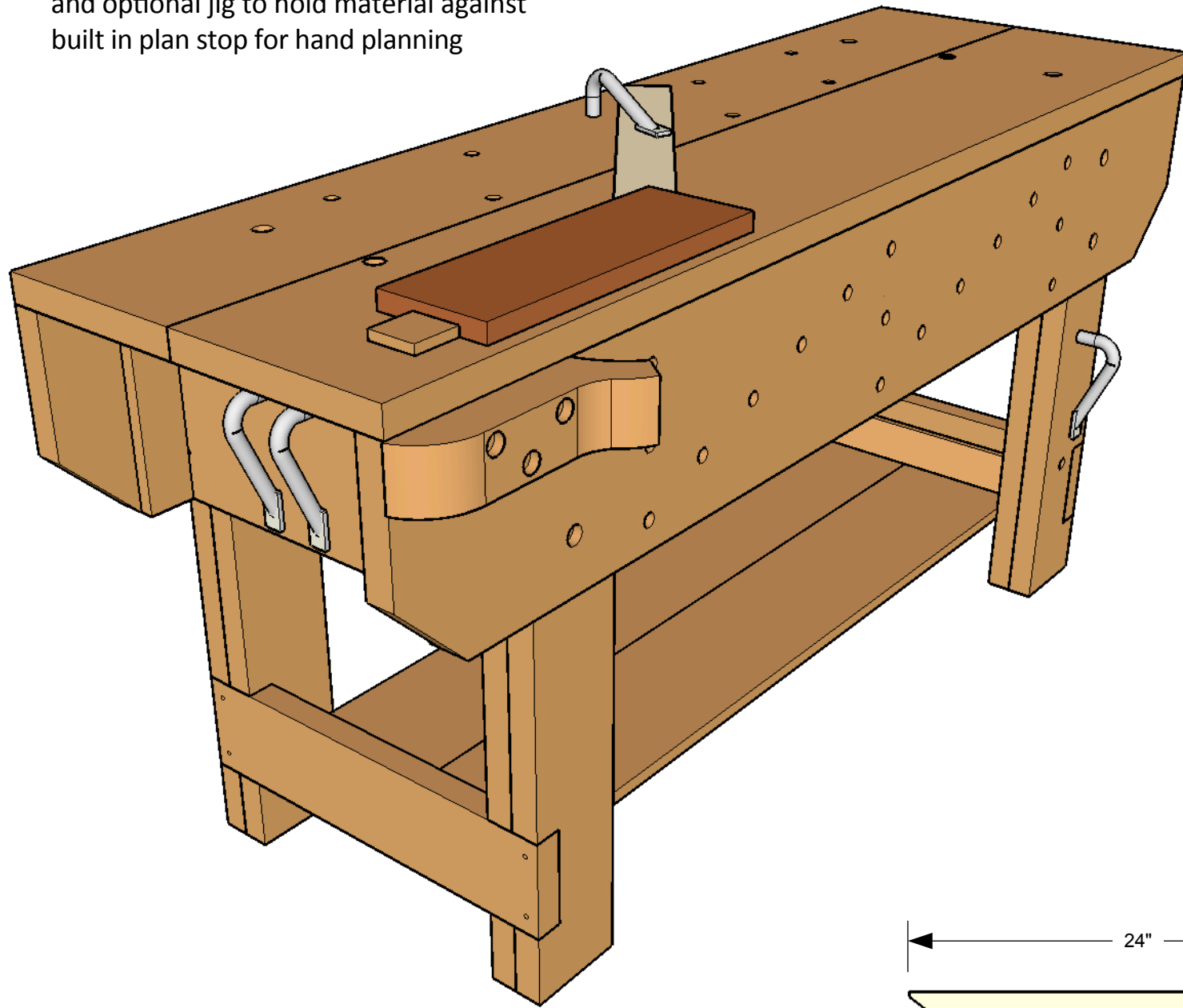


Bench shown below with Gramercy Holdfast and optional jig to hold material against built in plan stop for hand planning

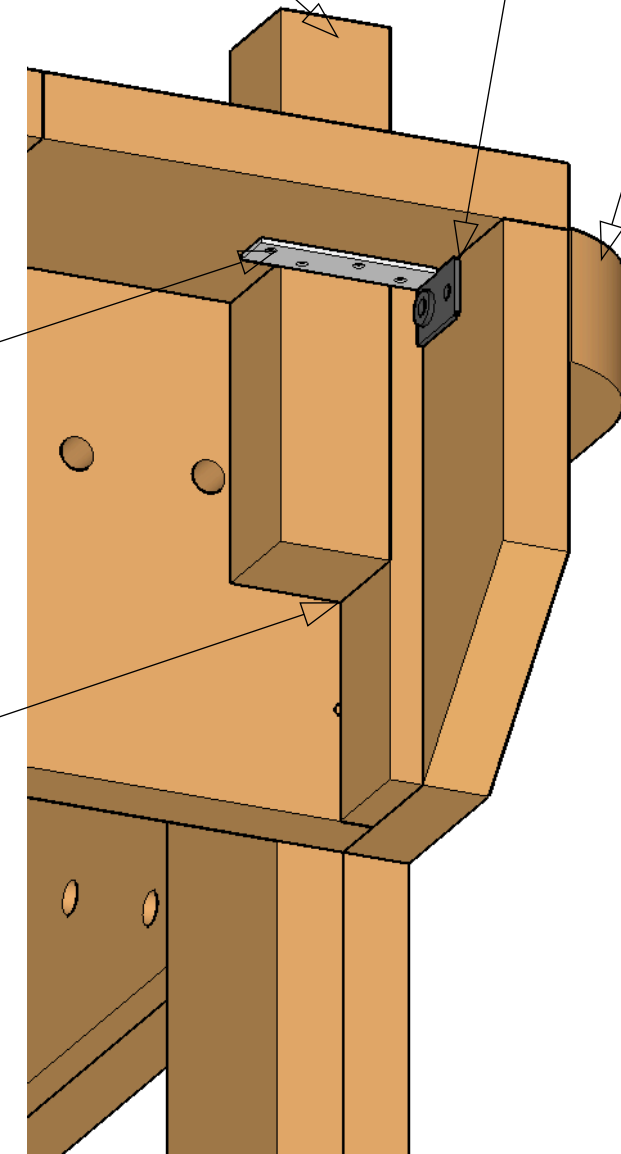


Moveable Plan Stop  
Bracket for 3/8" Bolt to secure Cleat onto Bench

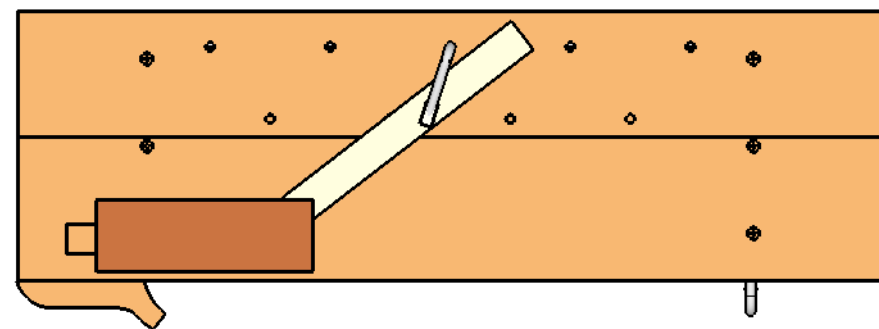
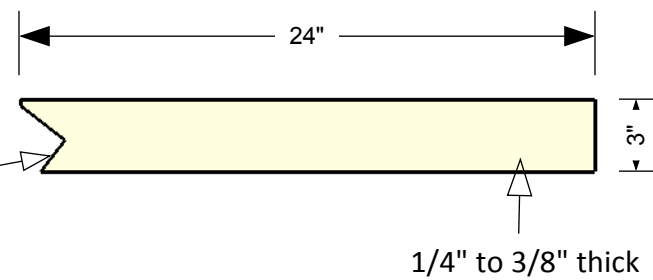
Optional Metal support plate to protect front edge of Plan Stop opening

Cleat

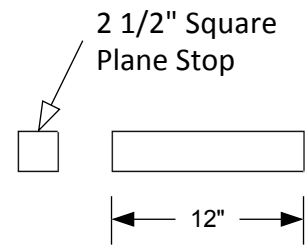
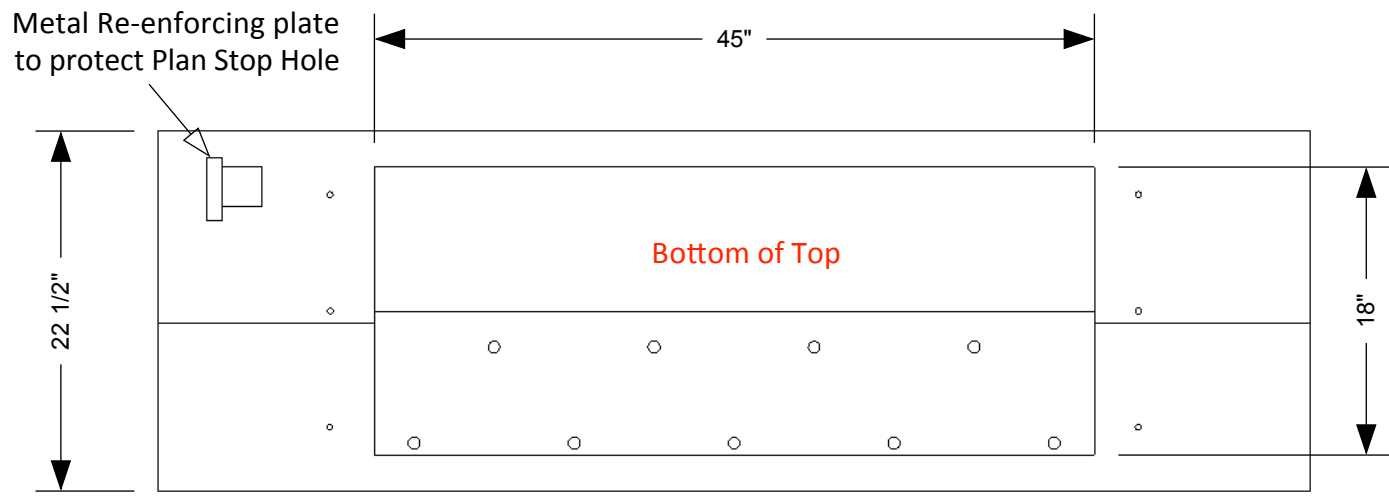
Note how corner of Plan Stop is supported by leg and front panel



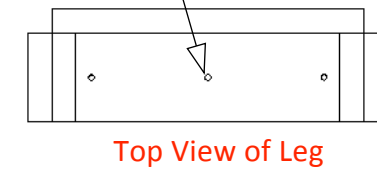
Critical Part of jig is this right angle cut-out



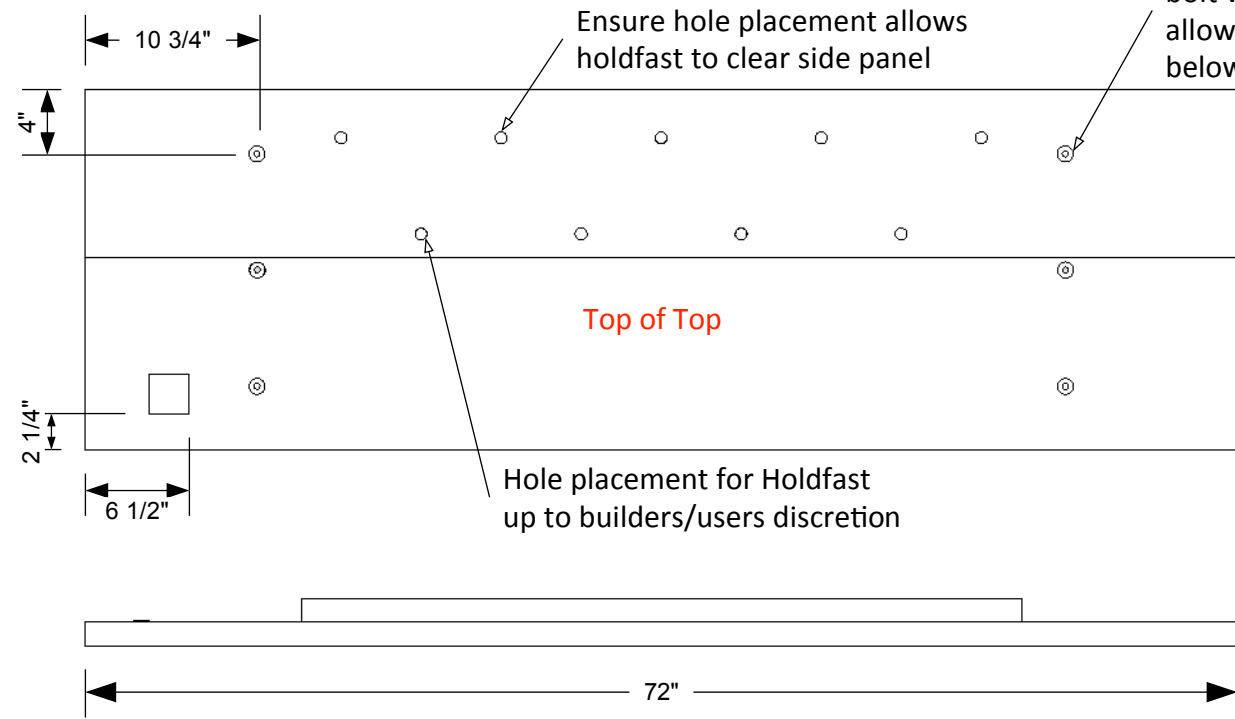
Note: Mounting brackets for securing legs to side panels and top are typical plumbers 3/8" threaded rod brackets. In the Lost Art Press blog Chris uses 14 brackets from McMaster-Carr (item # 11445T1) and one T-nut from McMaster-Carr (item #94122A200 or the 6 prong version 90975A163). In the drawing above I have used a recessed 11445T1 bracket to aide in securing the cleat to the bench instead of a T-nut.



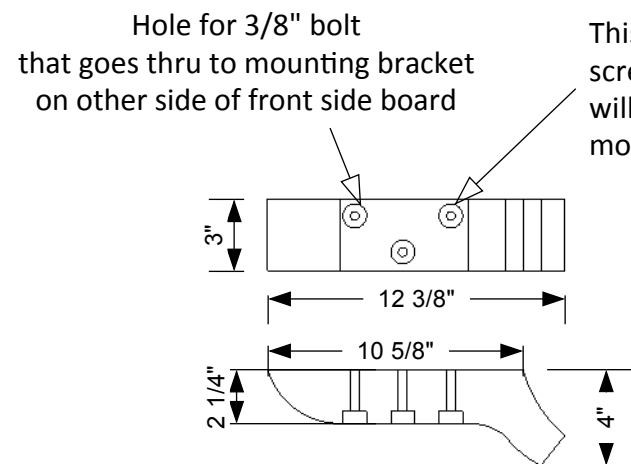
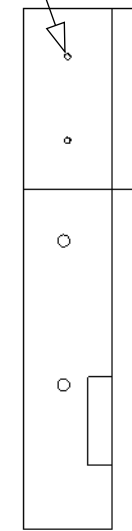
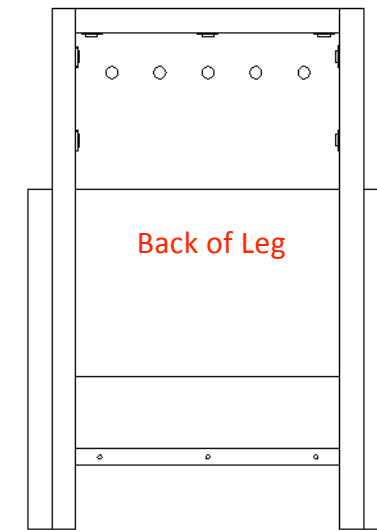
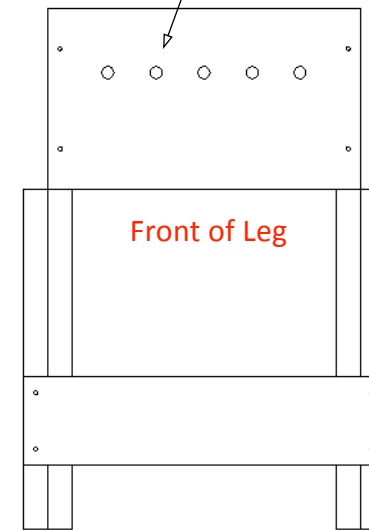
7/16" holes for 3/8" bolts to secure top or side panel mounting bracket on other side of this board



Mounting holes for 3/8" dia bolt w/recess 1" dia x 1/2" deep allows bolt head/washer to be below top surface of bench



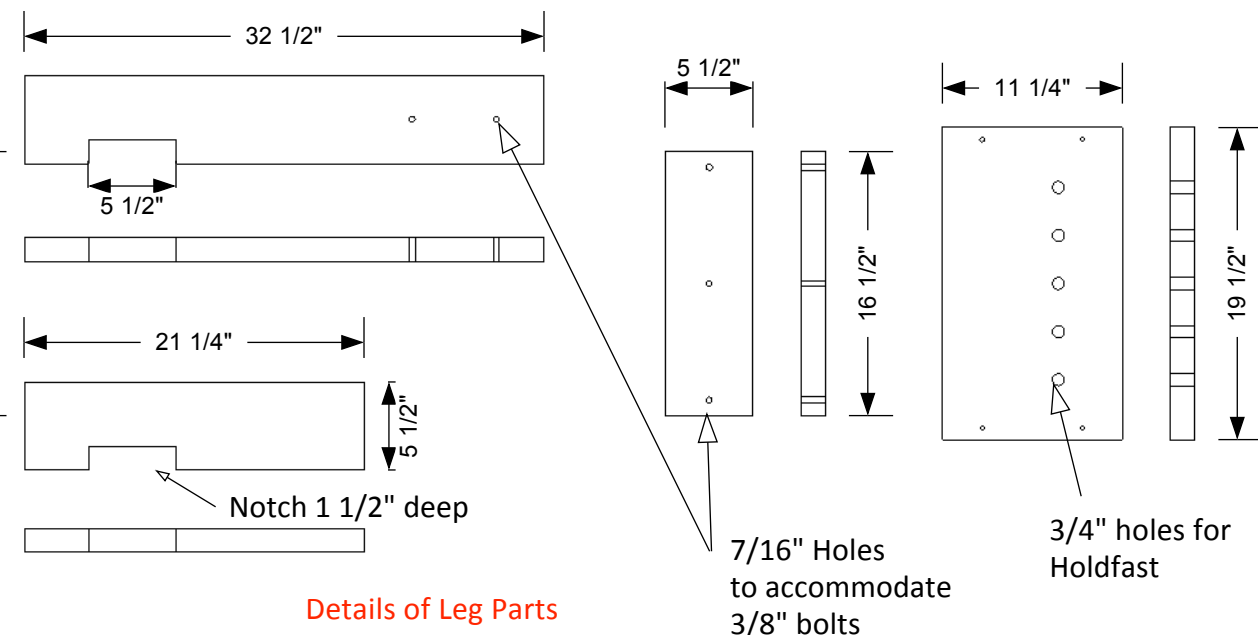
Leg front plate secured to uprights using wood screws 3/4" holes for storing Holdfast



This hole & center hole for 3/8" lag screw w/washer cannot use thru bolts will interfere with plane stop movement up & down

Leg Stretcher secured to leg uprights using 4 wood screws

1" square stock 3 woods crews used to secure "shelf lip" to leg stretcher



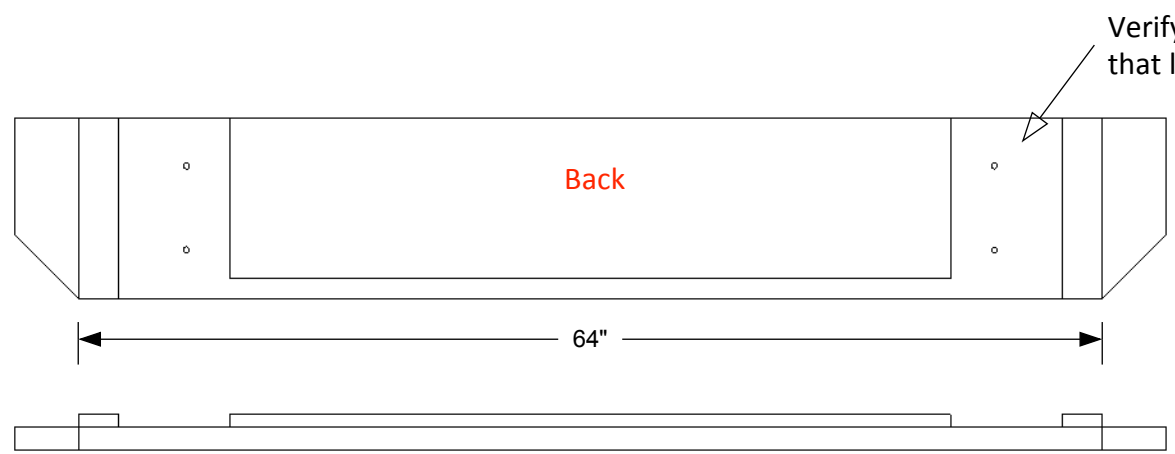
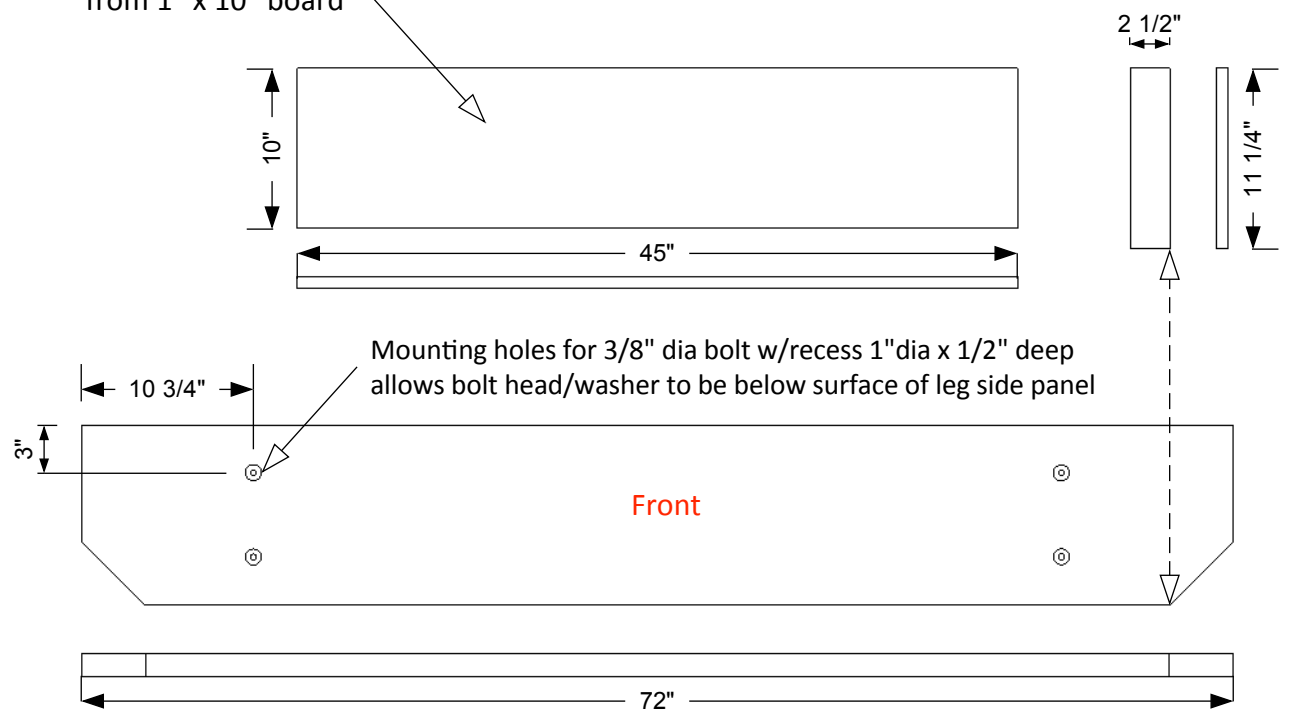
Scale:  
Orthogonal Views 1:12  
Clear Views 1:8  
Note: All boards 1 1/2" thick unless otherwise noted

Top & Leg Details

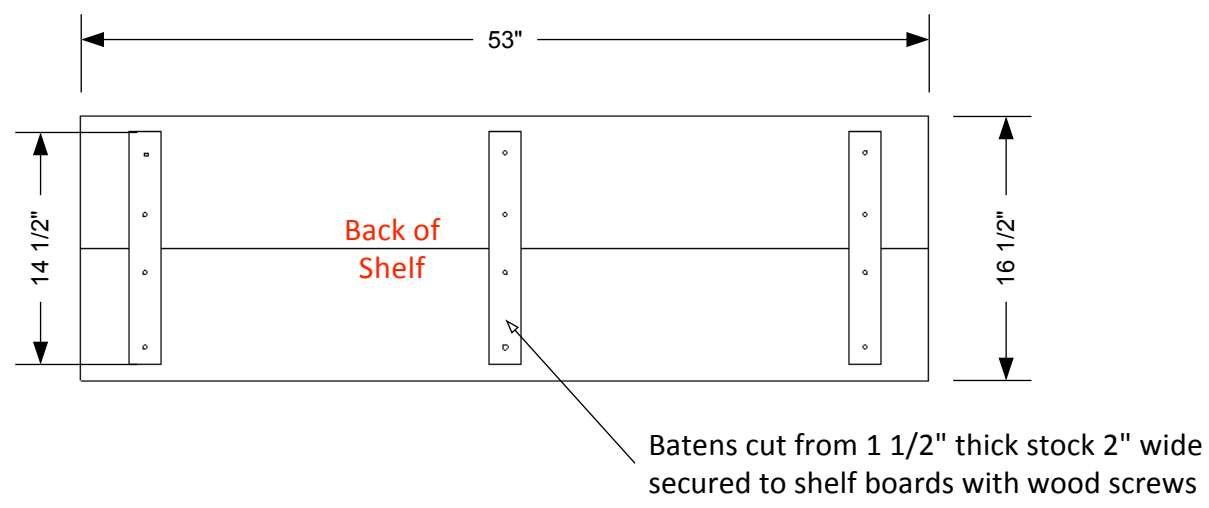
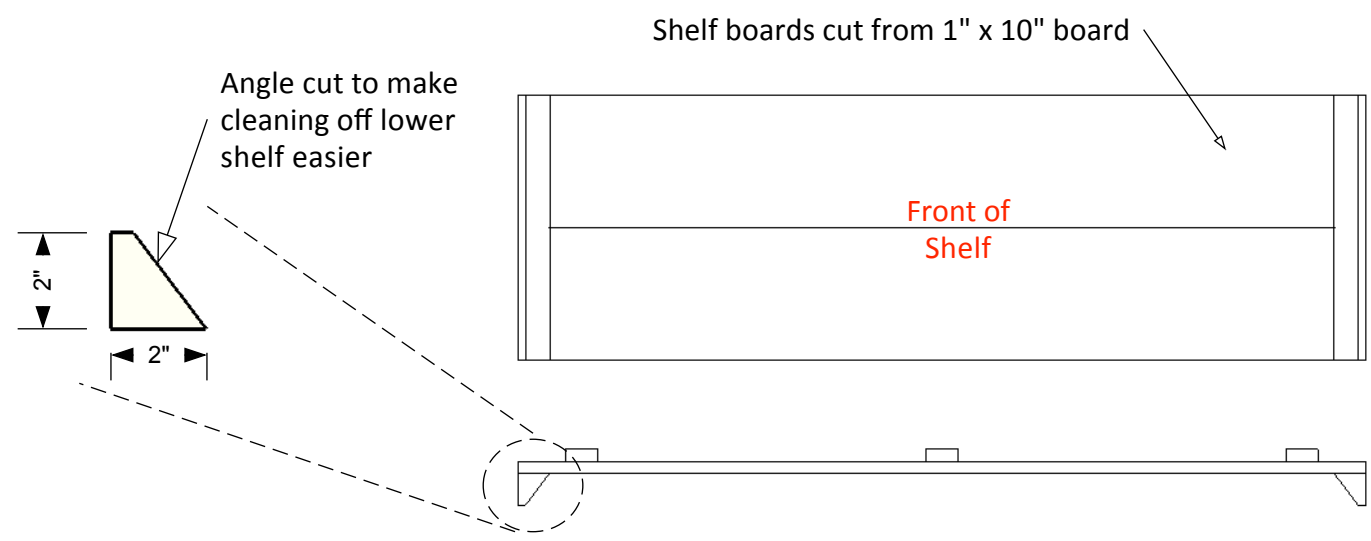
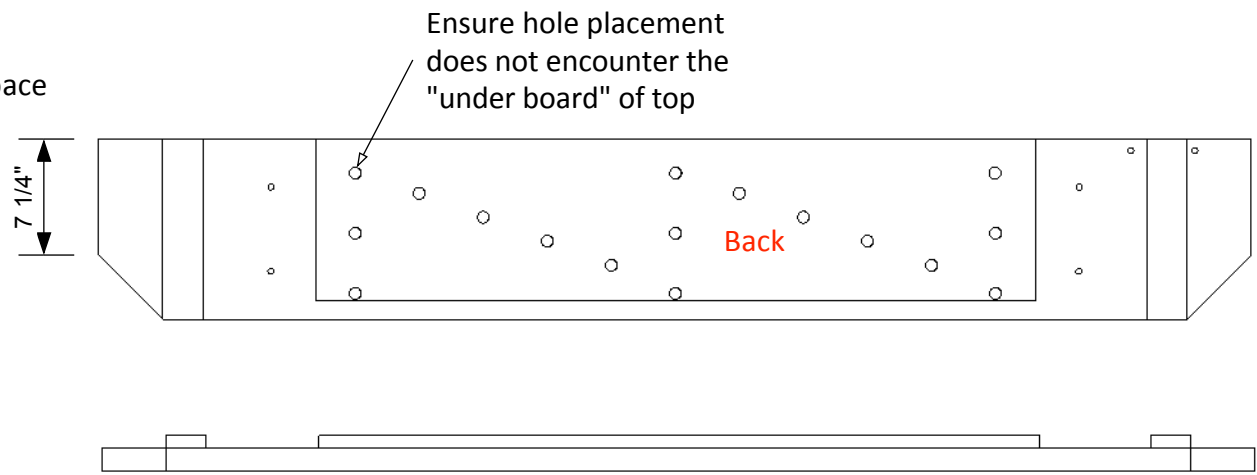
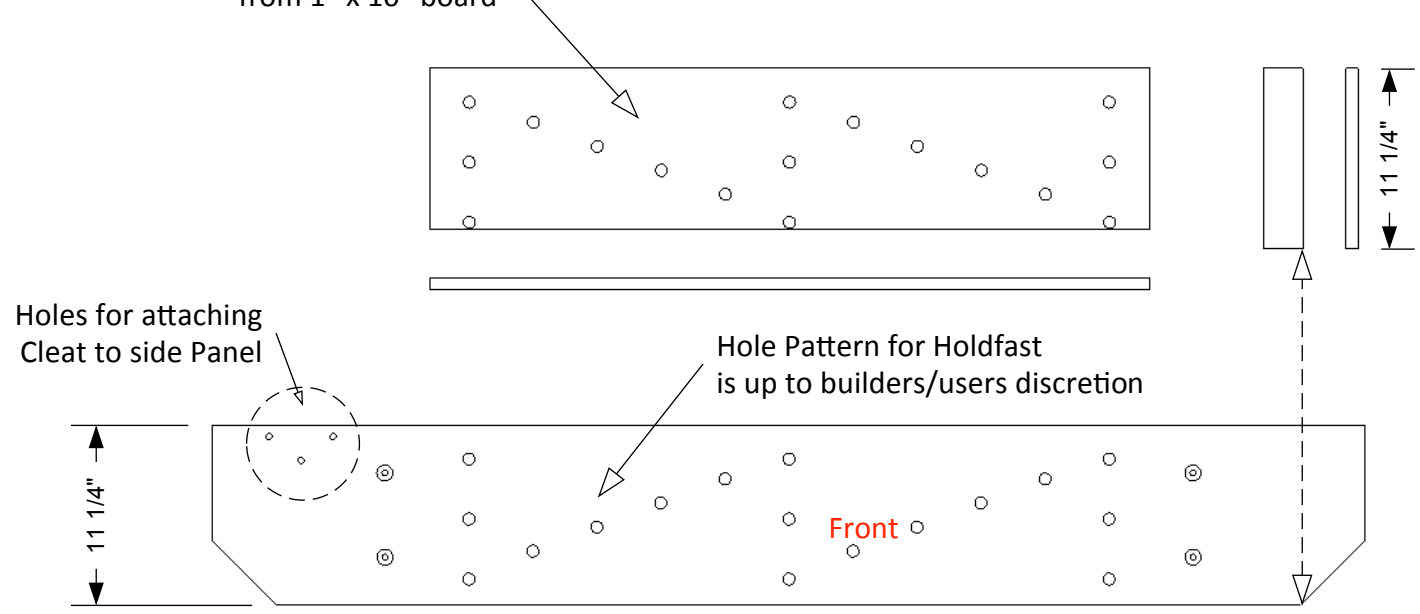
Nicholson Knock-down Work Bench

Original Drawing  
G. Schwarz, Post. Art Press  
Detail Drawing D. B. Hill,  
The Verona Company,  
September 2014

2nd layer panel cut from 1" x 10" board  
**Back Side Panel**



2nd layer panel cut from 1" x 10" board  
**Front Side Panel**



Scale:  
Orthogonal Views 1:12  
Note: All boards 1 1/2" thick unless otherwise noted

Side Panel Details  
Shelf Details

Nicholson Knock-  
down Work Bench

Original Drawing  
C. Schwarz, Post. Art Press  
Detail Drawing D. R. Hill,  
The Verona Company,  
September 2014