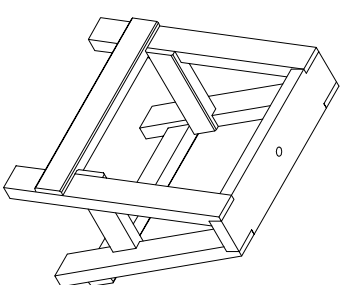
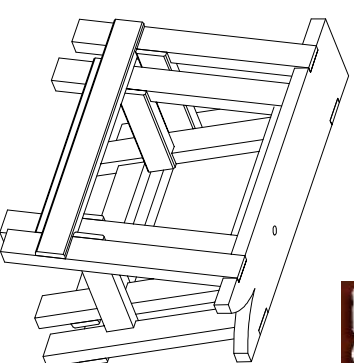


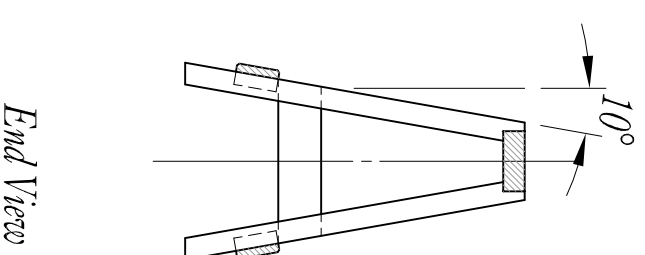
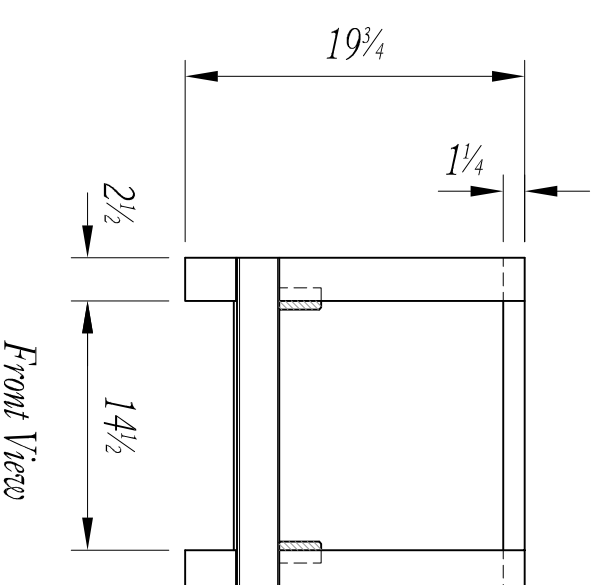
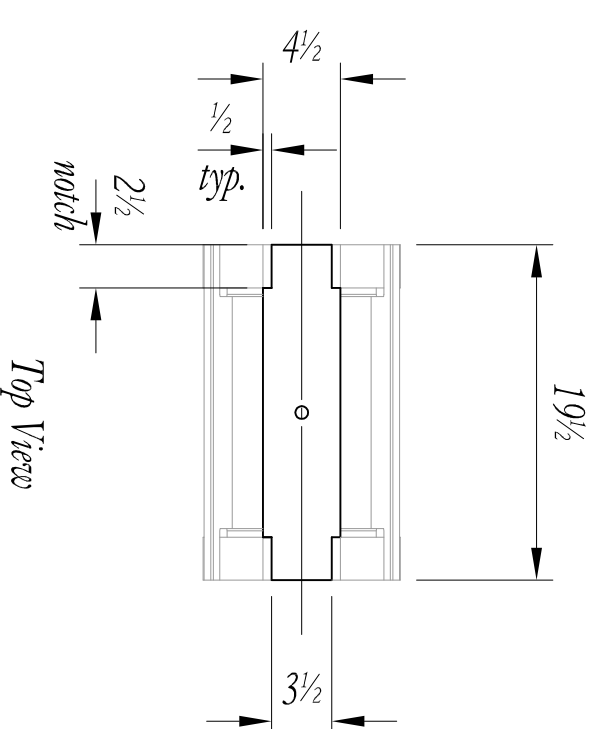
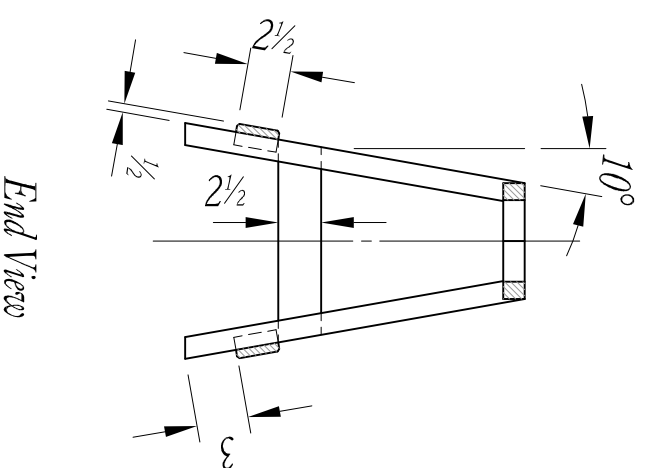
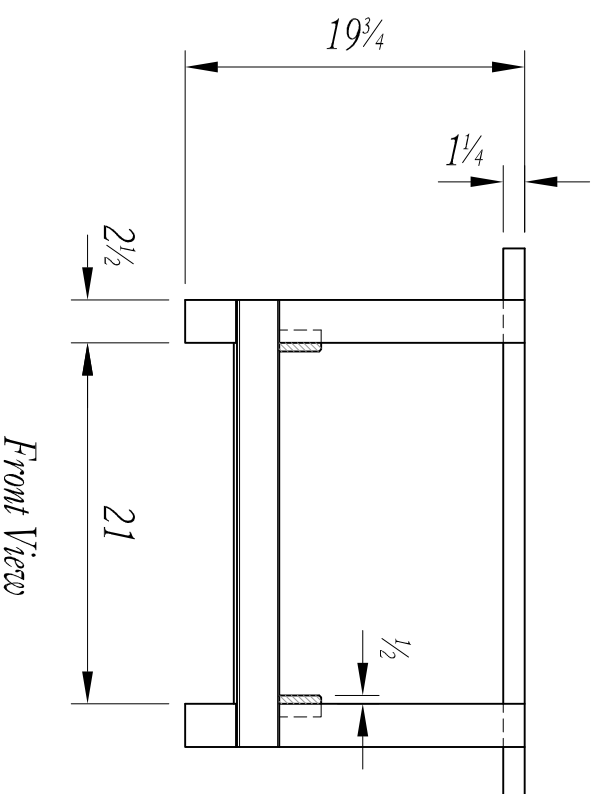
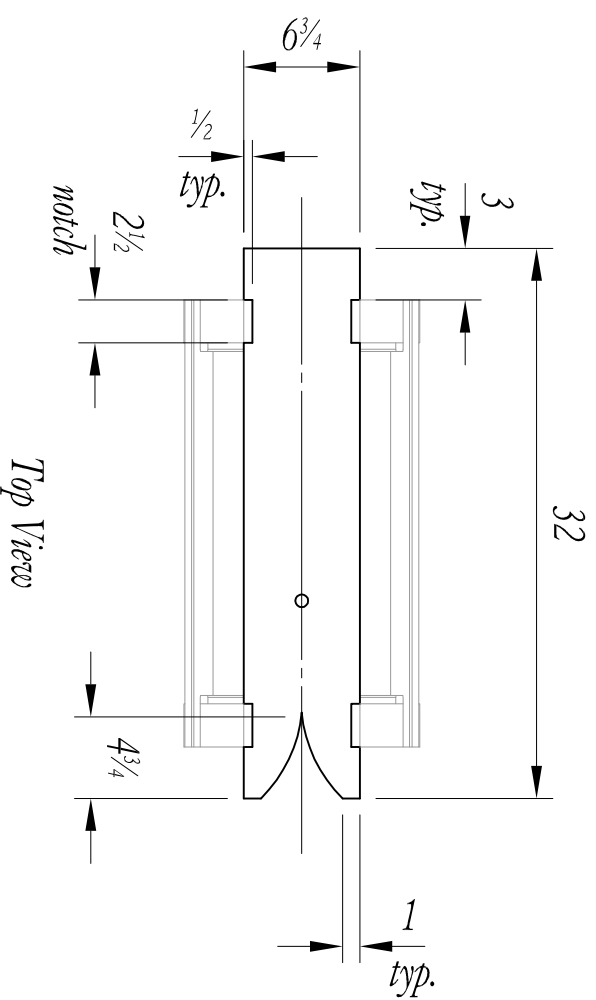
+



=



NOTE:
- all legs and stretchers
are 1 1/4 x 2 1/2



Sawbench

Sawhorse (optional)